

Go-3

High-Resolution USB 2.0 Digital Color Camera

The **QImaging® Go-3** color CMOS camera is a low-cost digital color camera for documentation and archiving in clinical, pathology, life science, material science, and industrial applications where high resolution and high speed are required. The Go-3 features a 3-megapixel sensor and on-board processing to deliver amazing color images at 6fps (full resolution). The camera's USB 2.0 interface provides convenience and simple plug-and-play installation via a single cable.



camera models

Includes: USB 2.0 cable, QCapture Suite software, QCapture Pro software, and access to SDK

Color Go-3

Model: GO-3-CLR-10

camera options

Extended Warranty

| features | benefits |
|---|--|
| High-Resolution, 3-Million-Pixel Sensor | <ul style="list-style-type: none"> Highly detailed, sharp images suitable for documentation and industrial applications |
| High-Speed Readout | <ul style="list-style-type: none"> Previewing & focusing in real time 60fps with 640 x 480 resolution 6fps full resolution Ideal for high-resolution, high-speed imaging |
| Flexible Exposure Control | <ul style="list-style-type: none"> Optimal integration over a wide range of light levels |
| ROI (Region of Interest) | <ul style="list-style-type: none"> Higher frame rates for previewing & focusing |
| USB 2.0 Connection | <ul style="list-style-type: none"> Simple connectivity Ease of use and installation Portability with laptop computer Single-cable operation (no external control unit or framegrabber) |
| Extensive Application Software Support | <ul style="list-style-type: none"> Choose from a large selection of life science & industrial software for microscopy, machine vision, & video-streaming functions |

Go-3 Specifications

| CMOS sensor | |
|--|--|
| Light-Sensitive Pixels | 2048 x 1536 |
| ROI (Region of Interest) | User selectable |
| Exposure/Integration Control | 0ms to 1.74sec |
| Sensor Type | CMOS, color sensor |
| Pixel Size | 3.2µm x 3.2µm |
| Linear Full Well | > 20,000 e- |
| Read Noise | 20 e- RMS |
| Shutter | Rolling shutter with single-frame capture |
| Digital Output | 8 or 10 bits (24- or 30-bit color) |
| Readout Frequency | 24MHz |
| Frame Rate | 6fps full resolution @ 10 bits; 60fps @ 640 x 480 resolution |
| camera | |
| Computer Platforms/ Operating Systems* | Windows® |
| Digital Interface | USB 2.0 |
| Trigger Types | Internal, Software |
| Normal Gain Control | 1 to 3.850 |
| Optical Interface | 1/2", C-mount optical format |
| Threadmount | 1/4" ..20 mount |
| Power Requirements | 2.5W; 5VDC |
| Weight | 300g (0.67lbs) |
| Warranty | 2 years |
| Operating Environment | 0 to 50°C; 95% relative humidity non-condensing |
| Storage Temperature | -20 to 60°C |

applications

Pathology

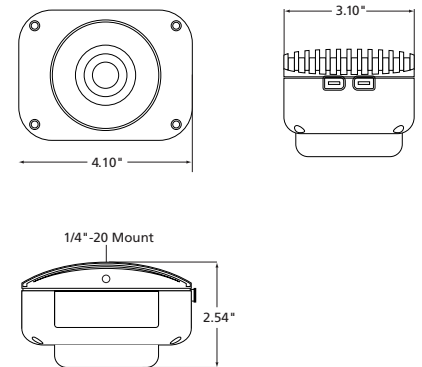
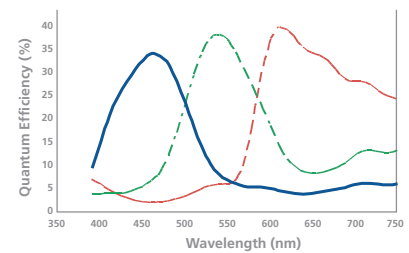
Image archiving for clinical, life science, and material science

Industrial imaging

Brightfield

Still-image animation

spectral response



*Refer to QImaging website for detailed listing of supported operating systems.
 Note: Specifications are nominal and subject to change.

Go is a trademark and QImaging is a registered trademark of QImaging Corporation.
 Windows is a registered trademark of Microsoft Corporation in the United States and other countries.
 Other brand and product names are the trademarks or registered trademarks of their respective owners and manufacturers.